

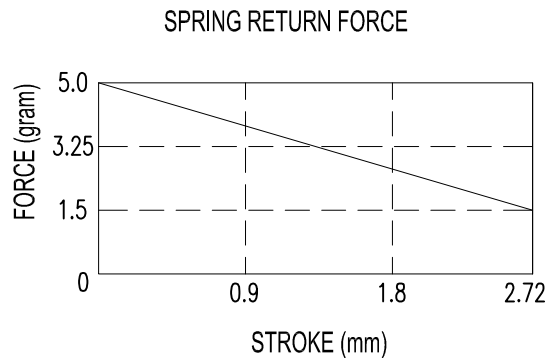
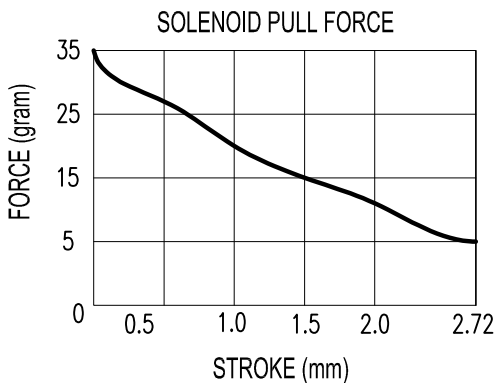
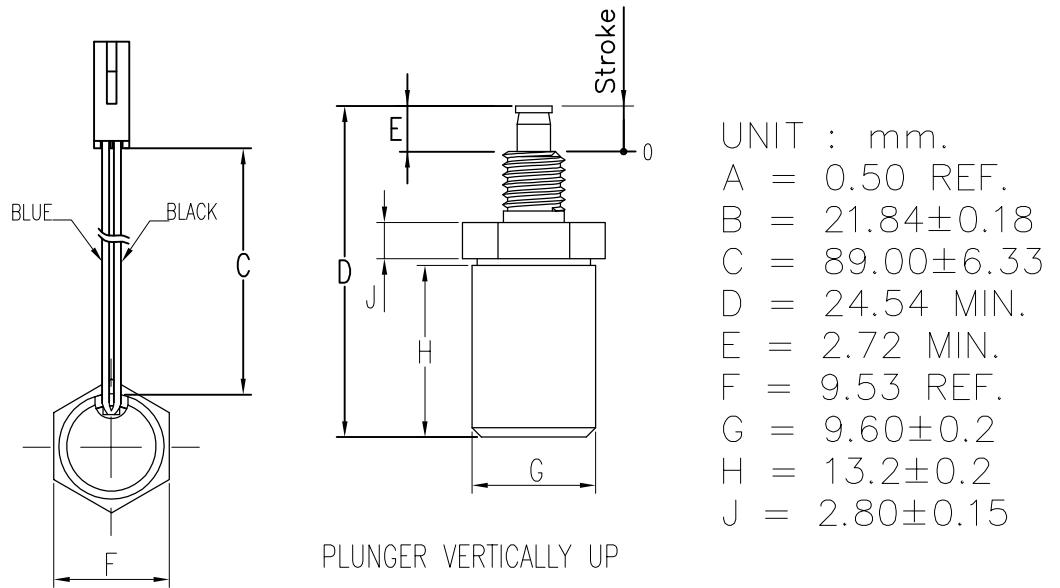
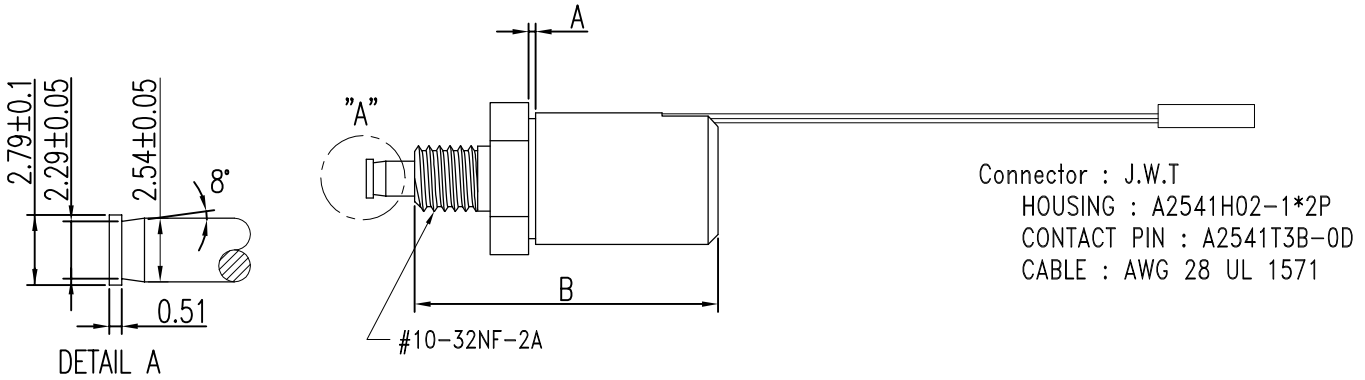
# SOLENOID PRODUCT SPECIFICATION

PART No.	VOLTAGE	DUTY CYCLE	POWER (W)	CURRENT (A)	DCR (Ω) *
DSTL-0216-24	24 VDC	100%	1.1	0.05	480
DSTL-0216-18	18 VDC	100%	1.1	0.06	285
DSTL-0216-12	12 VDC	100%	1.1	0.08	144
DSTL-0216-09	9 VDC	100%	1.1	0.12	76
DSTL-0216-05	5.4 VDC	100%	1.1	0.2	27

\* OPERATION: POWER TO PULL, BUILT-IN RETURN SPRING.

\* DCR VALUES ARE ±10% AT 25°C  
 \* WEIGHT ARE 12 GRAM ±10%

## 1. MECHANICAL DIMENSIONS :



INSULATION MATERIALS: UL CONSTRUCTION, CLASS B 130°C  
 LIFE EXPECTANCY: 100K CYCLES OPERATIONS

LAYER TEST	IR. @500 Vdc.	HI-POT
(S-F) : 2KVp. MIN.	COIL TO CASE	@50/60Hz.,2mA
TEST ONLY COIL	100 MOHM MIN.	COIL TO CASE
		1000Vac.,60s